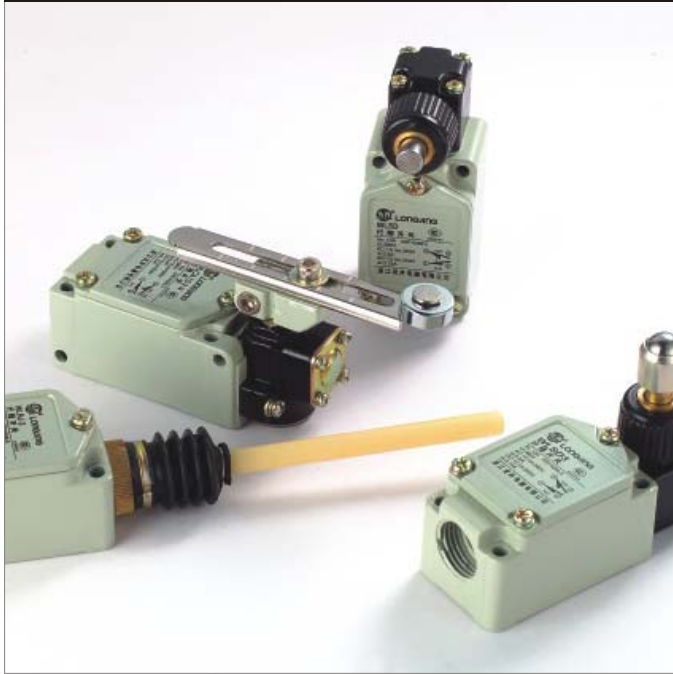
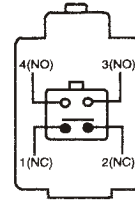


WL Limit Switch 行程开关



接触形式 Contact Type

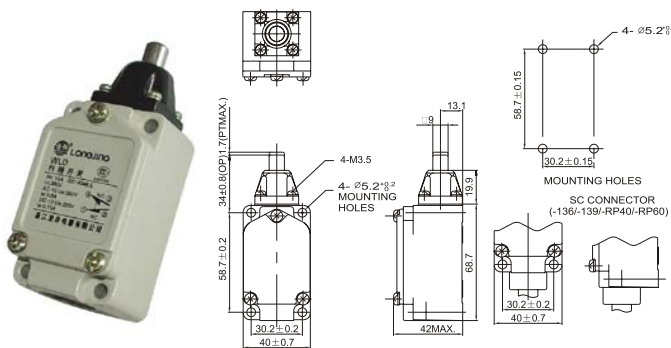


外壳结构 cover structure	特种合金金属材料 special alloying metal	
防护等级 Protection degree	IP67	
寿命 life	机械的 mechanical	1,500次 time
	电气的 electrical	75万次 seven hundred fifty thousand times
操作速度 operation speed	1mm~1m/s	
操作频率 operation frequency	机械的 mechanical	120次/分(times/m)
	电气的 electrical	30次/分(times/m)
绝缘电阻 Insulation resistance	100MΩ 以上 DC 500V	
接触电阻 contact resistance	25mΩ 以下 (初期值 Initial value)	
耐电压 voltage withstand (50/60Hz 1分钟)	同极端子间 Between the terminals of same pole	AC 1,000V(600V)
	充电金属部间 Between charged metal parts	AC 2,200V(1,500V)
	各端子非充电金属部间 Between non-charged metal parts of each terminal	AC 2,200V(1,500V)
振动 vibration	误动作 misoperation	10~55Hz 复振幅(amplitude) 1.5mm

负荷 load	AC 250V 10A
	AC 380V 10A
	DC 125V 5A
	AC 250V 5A
使用温度 ambient operating temperature	-10~+80℃
使用湿度 humidity	< 95%RH

形式 mode 动作特性 operation speciality	WLCA2 WL01CA2 WLACA2	WLCA2-7 WL01CA2-7 WLACA2-7	WLCA2-8 WL01CA2-8 WLACA2-8	WLPCA2 WL01PCA2 WLAPCA2	WLCA2-31 WL01CA2-31 WLACA2-31	WLCA12 WL01CA12 WLACA12	WLGA2 WL01GA2 WLAGCA12	WLCL WL01CL WLACL	WLCA32-41-43 WL01CA32-41-43 WLACA32-41-43
OF 最大(max)	1360g	1040g	820g	1360g	1360g	1360g	1360g	142g	1220g
RF 最小(min)	227g	170g	137g	227g	227g	227g	150g	28g	-
PT	15 ± 5°	15 ± 5°	15 ± 5°	15 ± 5°	15 ± 5°	15 ± 5°	5	15 ± 5°	50 ± 5°
OT 最小(min)	30°	30°	30°	30°	30°	30°	40°	30°	35°
MD 最大(max)	12°	12°	12°	12°	12°	12°	3°	12°	-

WLD



WLD2

